



COOKING EQUIPMENT

SERVING THE FOOD INDUSTRY SINCE 1951

STAINLESS STEEL SQUARE DRUM CHARCOAL TANDOOR OVENS

Item: 47438 / 47439 / 47441 / 47442

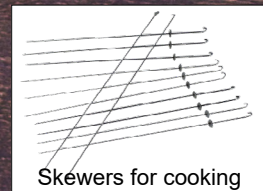
Model: CE-IN-24X24-C / CE-IN-28X30-C / CE-IN-32X32-C / CE-IN-34X34-C



Cook your authentic and favorite dish with Omcan's tandoor clay ovens. These ovens cook very quickly without burning. They also produce tender, tastier meat as they preserve all the flavors and juices while cooking.



> Each tandoor includes:



Natural Gas regulatory for each tandoor ovens must be purchased separately.

Product may not be exactly as shown.



WARRANTY

PARTS AND LABOR

Disclaimer: Our clay pot integrity is reliant on the way it is handled in the kitchen. The usual life for the integrity of the pot is five years. For this reason, our clay pot is not under warranty.



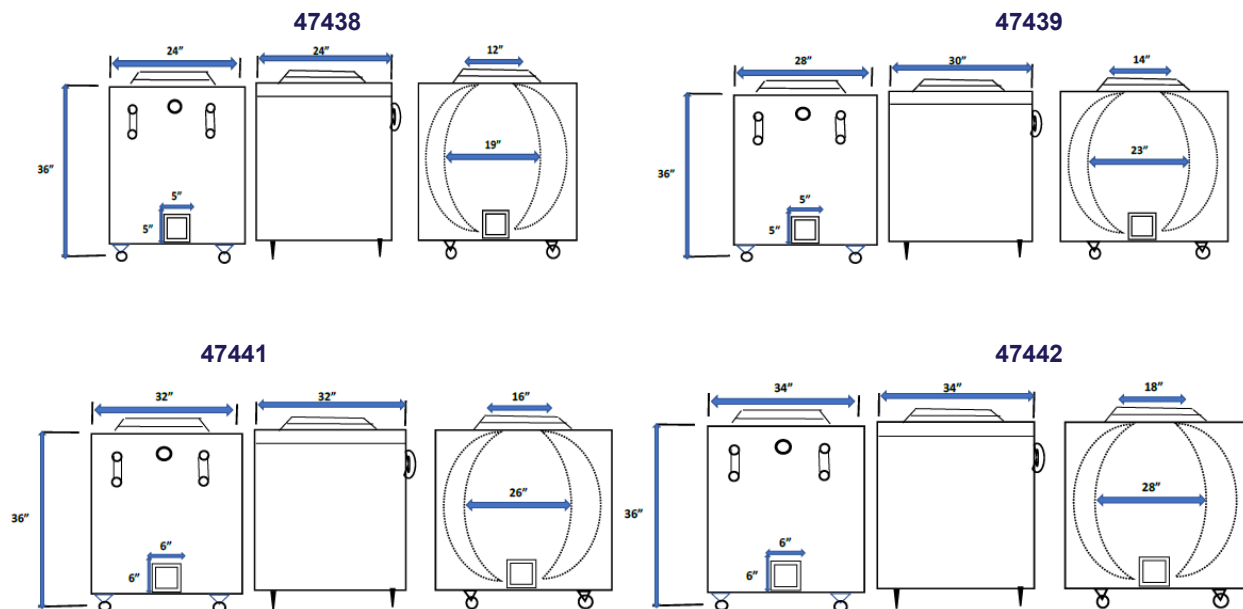
Massachusetts Approved Plumbing Products

Authorized Dealer

TECHNICAL SPECIFICATIONS

ITEM NUMBER	47438	47439	47441	47442
MODEL	CE-IN-24X24-C	CE-IN-28X30-C	CE-IN-32X32-C	CE-IN-34X34-C
BTU PER HOUR	43,000	48,000	56,000	70,000
INTERNAL POT	Clay Handcrafted			
OUTER BOX	Stainless Steel			
CLAY POT HEIGHT	29" 737 mm			
CLAY POT DIAMETER	19" 483 mm	23" 584 mm	26" 660 mm	28" 711 mm
MOUTH OPENING	12" 304.8 mm	14" 356 mm	16" 406 mm	18" 457 mm
LID SIZE	17" 433 mm	19" 483 mm	21" 533 mm	23" 584 mm
VENT OPENING (BOTTOM)	5" x 5" 127 x 127 mm		6" x 6" 152.4 x 152.4 mm	
CASTER SIZE	6" 152 mm			
OVER-ALL DIMENSIONS (DWH)	24" x 24" x 36" 609.6 x 609.6 x 914 mm	30" x 28" x 36" 762 x 711 x 914 mm	32" x 32" x 36" 813 x 813 x 914 mm	34" x 34" x 36" 864 x 864 x 914 mm
NET WEIGHT	370 lbs 168 kg	405 lbs 184 kg	480 lbs 218 kg	534 lbs 242 kg
GROSS WEIGHT	491 lbs 223 kg	515 lbs 234 kg	612 lbs 278 kg	689 lbs 312 kg

TECHNICAL DRAWINGS WITH DETAILED DIMENSIONS



OMCAN INC.

Telephone: 1-800-465-0234

Fax: (905) 607-0234

E-mail: sales@omcan.com

Website: www.omcan.com



Follow us to keep up to date with the latest news and offers

